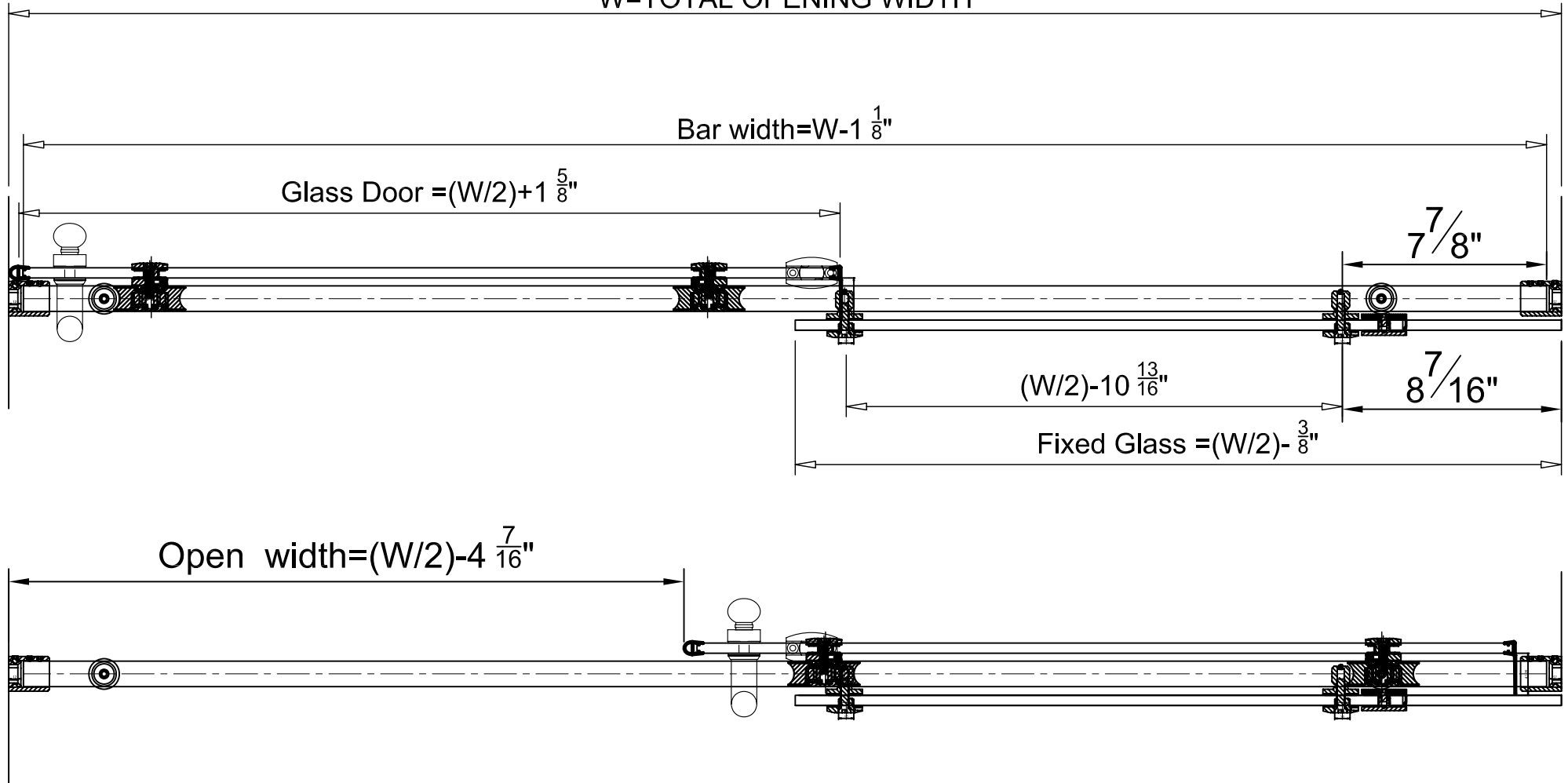
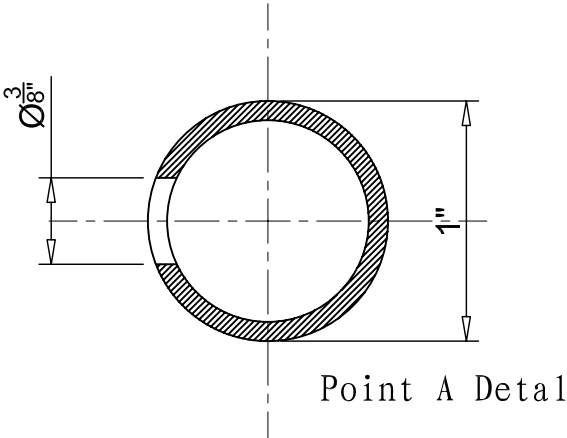
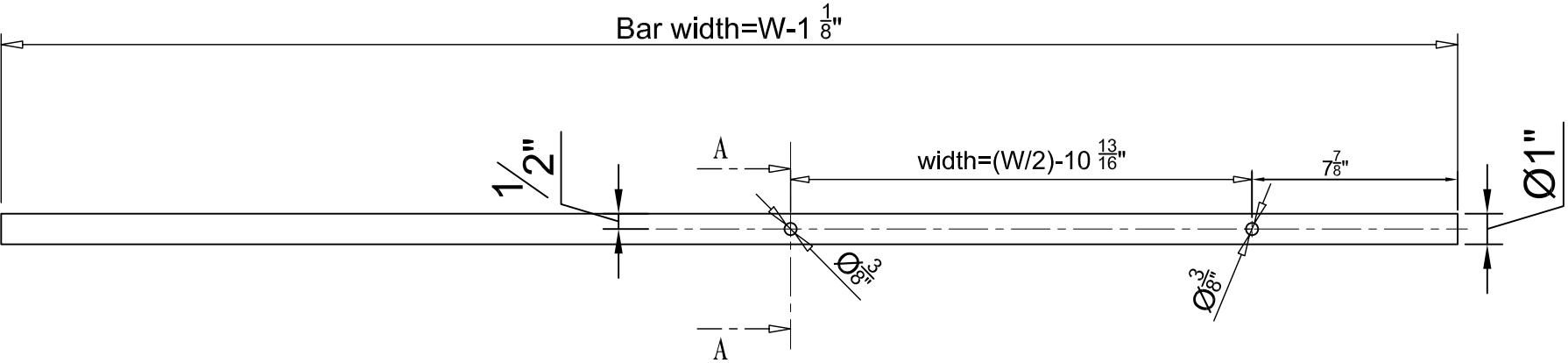


VIRGINIA SERIES 4X2 $\frac{3}{4}$ " ROLLER SYSTEM

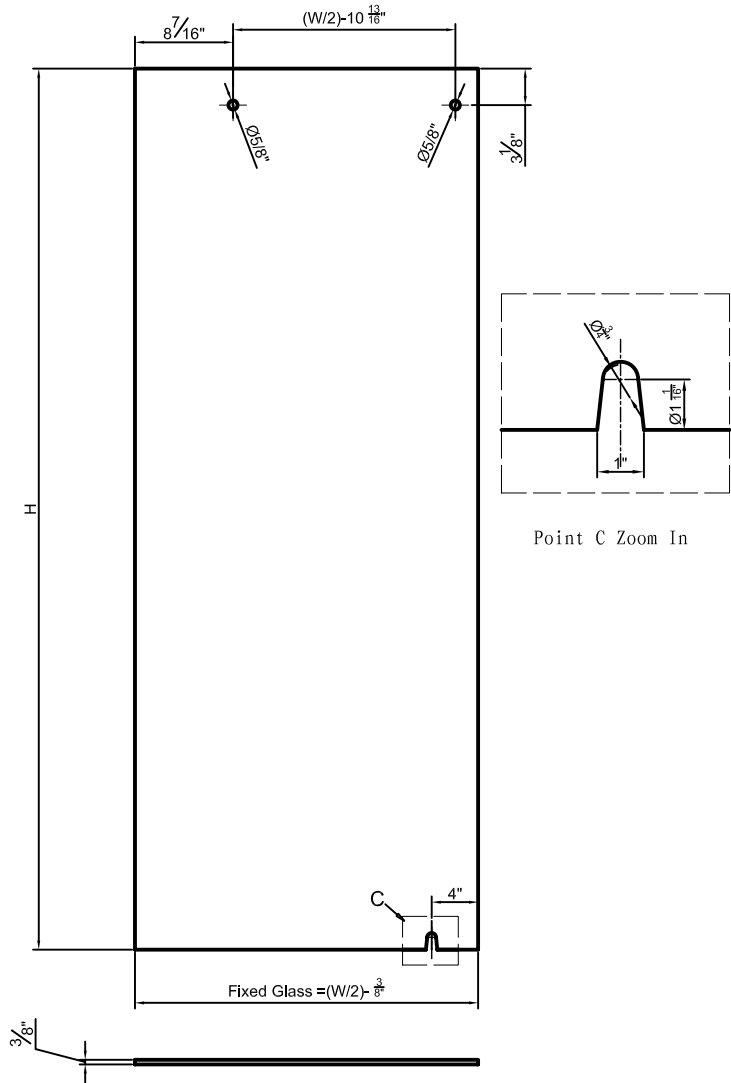
W=TOTAL OPENING WIDTH



VIRGINIA SERIES 4X2 $\frac{3}{4}$ " ROLLER SYSTEM



VIRGINIA SERIES 4X2 $\frac{3}{4}$ " ROLLER SYSTEM



VIRGINIA SERIES 4X2 $\frac{3}{4}$ " ROLLER SYSTEM

